



Buy it for looks. Buy it for life.®

Specifications

DESCRIPTION

- Metal & plastic construction with a chrome plated finish
- 1/2" IPS connections

OPERATION

- Lever style handles
- Maximum handle(s) rotation angle is 90° to full on
- Rotate hot side counterclockwise to open (clockwise to close)
- Rotate cold side clockwise to open (counterclockwise to close)


FLOW

- Flow is limited to 1.5 gpm max (5.7L/min) at 60 psi,

CARTRIDGE

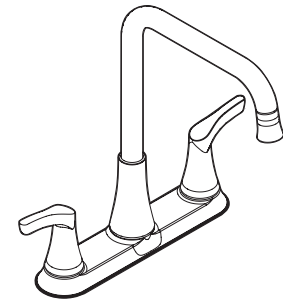
- 1224 cartridge design
- Nonmetallic and stainless steel material

STANDARDS

- Third party certified to ASME A112.18.1/CSA B125.1, and all applicable requirements referenced therein including NSF 61/9 & 372
- Complies with California Proposition 65 and with the Federal Safe Drinking Water Act
- ADA  for lever handles
- Meets Georgia SB370 requirements

WARRANTY

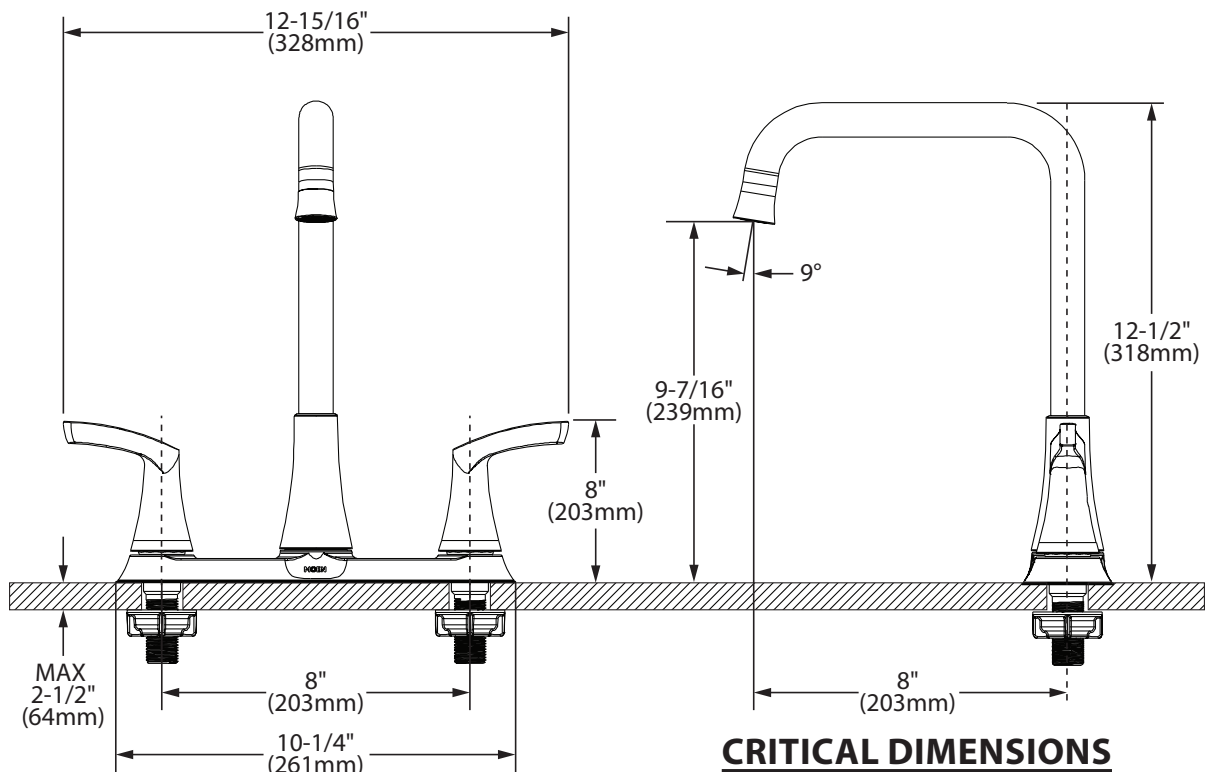
- Lifetime limited warranty against leaks, drips and finish defects to the original consumer purchaser
- 5 year warranty if used in commercial installations



Danika™
Two-Handle Kitchen Faucet

Models: 87633

NOTE: THIS FAUCET IS DESIGNED TO BE INSTALLED THRU 3 HOLES, 1" (32mm) MIN. DIA. AND 4" (102mm) ON CENTER



CRITICAL DIMENSIONS

(DO NOT SCALE)