

MOEN®

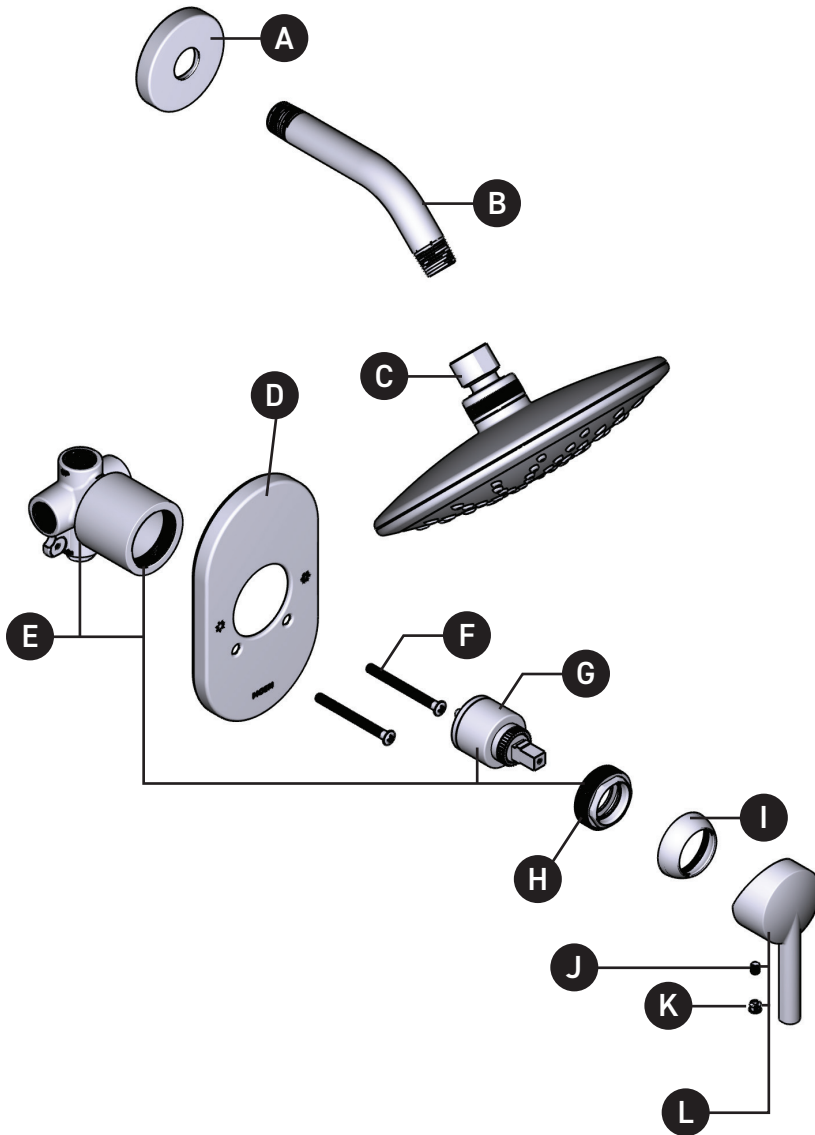
ORDER BY PART NUMBER

Illustrated Parts

Aryls™

Single-Handle Non-Pressure
Balance shower

MODEL	TYPE	FINISH
2773	Shower	Chrome
2773BL	Shower	Matte Black



ID	Kit Number	Kit Description	Finish
A	137488	Shower Arm Flange	Chrome
	137488BL		Matte Black
B	10154	Shower Arm	Chrome
	10154BL		Matte Black
C	161254	Showerhead	Chrome
	161254BL		Matte Black
D	188406	Escutcheon	Chrome
	188406BL		Matte Black
E	204873	Valve Body Kit	Chrome
	204873BL		Matte Black
F	138603	Escutcheon Screws (2)	Chrome
	138603BL		Matte Black
G	151302	Cartridge	N/A
H	151303	Cartridge Nut Kit	N/A
I	151304	Handle Dome	Chrome
	151304BL		Matte Black
J	138525	Set Screw <i>(Requires 7/64" hex key)</i>	N/A
K	152859	Plug Button	Chrome
	152859BL		Matte Black
L	188045	Handle Kit & Screw	Chrome
	188045BL		Matte Black